

## UNI 80X47CM WASHBASIN 1TH



Product Code: UN080B

---

 PRODUCT INFORMATION

<b>Finish:</b>	Gloss White
<b>Height:</b>	170mm
<b>Width:</b>	815mm
<b>Depth:</b>	465mm
<b>Material</b>	Ceramic
<b>Weight</b>	19.8kg
<b>Overflow(s)</b>	Yes
<b>Overflow Position</b>	Centre
<b>Overflow Diameter</b>	22mm
<b>Compatible Overflows</b>	OC01, OC02, OC03
<b>Tap Holes</b>	1 Tap Hole
<b>Tap Hole Position</b>	Centre
<b>Extra Tap Hole Options</b>	2 tap holes
<b>Recommended Waste Required</b>	Slotted waste
<b>Furniture Required For Installation?</b>	Optional
<b>Guarantee</b>	Lifetime

---

 DESCRIPTION

We've kept the UNI collection at a low profile - quite literally. It carries a vast range of slim profile basins with handle-less drawer units to help you to create a contemporary bathroom.

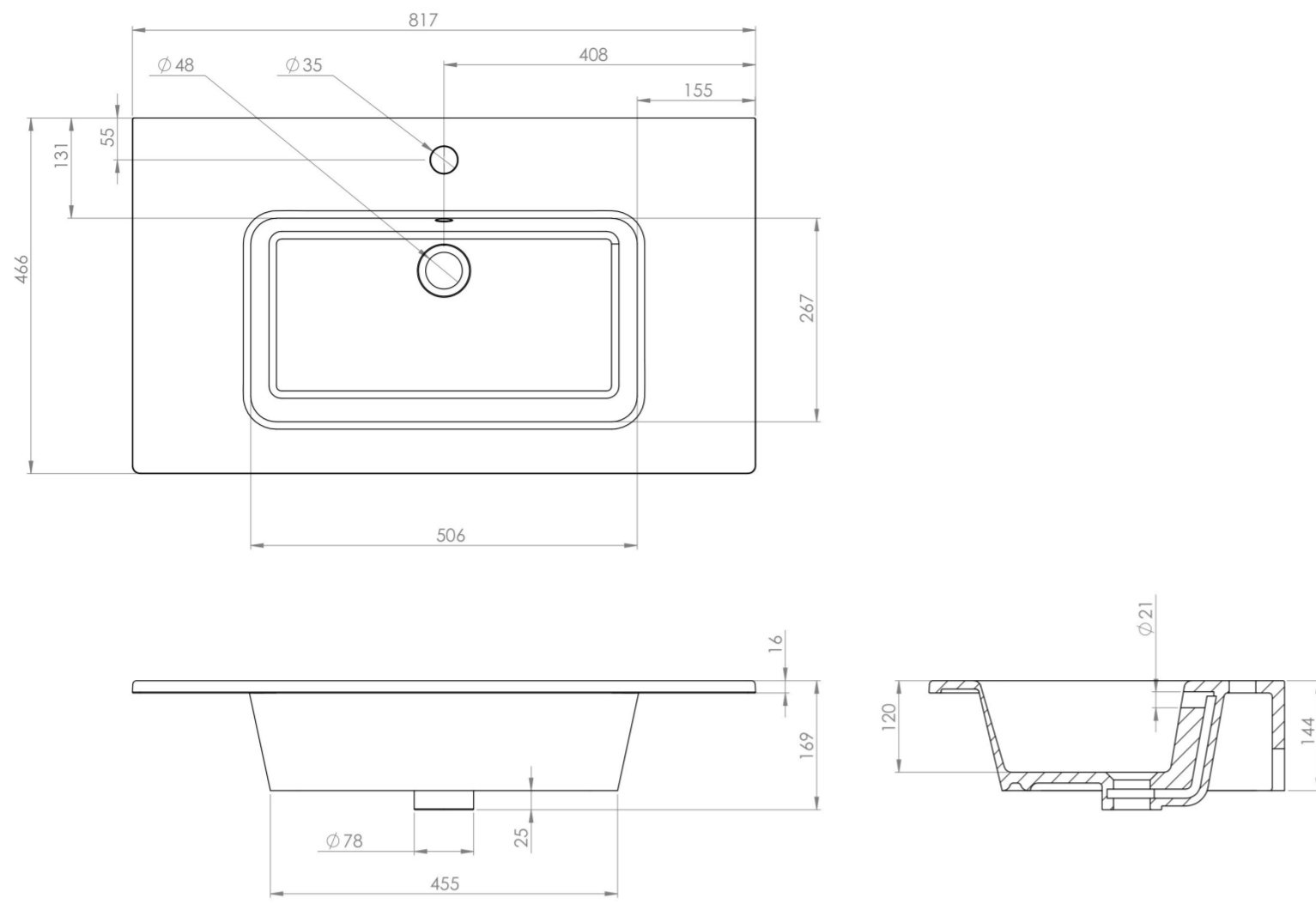
This UNI 80cm 1 tap hole washbasin is a great generic size for most bathrooms and its slim profile allows it to blend seamlessly when paired with a vanity unit from the same collection.

It can be wall-hung on it's own or paired with one of our UNI 80cm wall mounted units.

\*With an overflow

---

# TECHNICAL DRAWING



---

Saneux reserves the right to alter the specifications and product range without prior notice. Dimensions are given as a guide only. Dimensions should not be used for surrounding furniture, fixtures and fittings until the product is on site.

<https://saneux.com/products/uni-80x47cm-washbasin-lth>