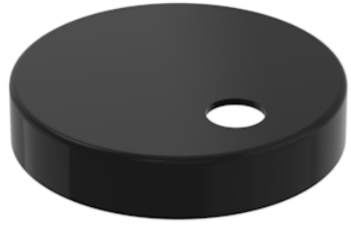


TOILET SEAT HINGE COVER - MATTE BLACK



Product Code: TSHC.MB

PRODUCT INFORMATION

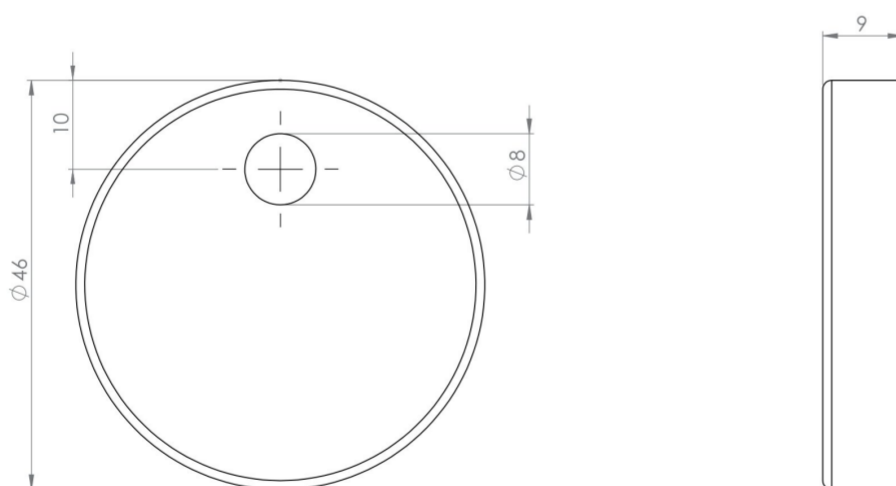
Finish:	Matte Black
Height:	9mm
Width:	46mm
Depth:	46mm
Weight	0.2kg
Guarantee	2 years
Range Pairing	Matteo, uni, Austen

DESCRIPTION

Complete your matte black bathroom by adding these toilet seat hinge covers. It's the finer details like this that make all the difference. Comes with 2 hinge covers.

*Compatible with the MATTEO soft close toilet seat (MATS01), UNI Soft close toilet seat (66101, 66102) & Austen soft close toilet seat (50073)

TECHNICAL DRAWING



Saneux reserves the right to alter the specifications and product range without prior notice. Dimensions are given as a guide only. Dimensions should not be used for surrounding furniture, fixtures and fittings until the product is on site.