

AUSTEN 60CM 3 DRAWER FLOOR STANDING UNIT – ENGLISH OAK



Product Code: AU060F3.EO

PRODUCT INFORMATION

Finish:	English Oak
Height:	780mm
Width:	596mm
Depth:	445mm
Material	MFC
Weight	14kg
Guarantee	5 years
Configuration	3 Drawer
Drawer Type	Soft close
Compatible Basin(s)	50010, 50010.0TH
Compatible Countertop(s)	AU060T.GW, AU060T.IG, AU060T.MW, AU060T.EO, AU060T.MC, AU060T.C
Handle(s) Required	3, purchase separately
Other Features	Easy installation Quick release drawers

DESCRIPTION

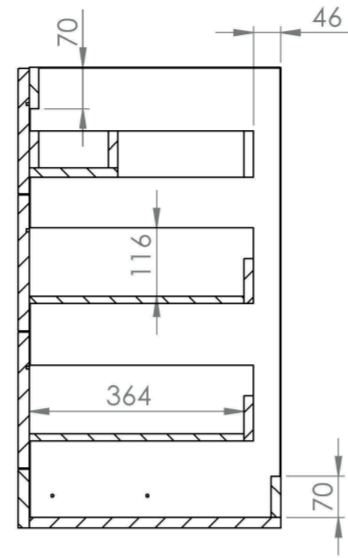
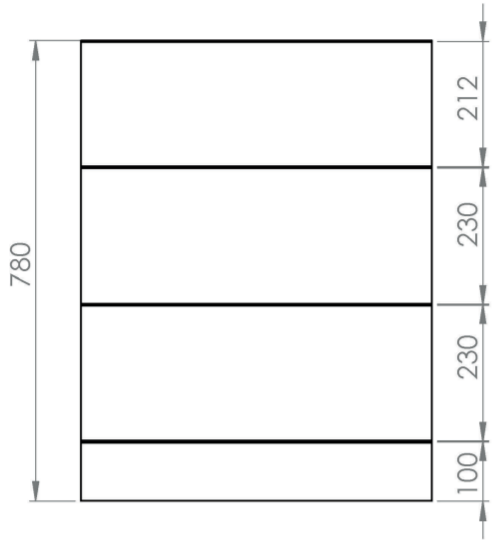
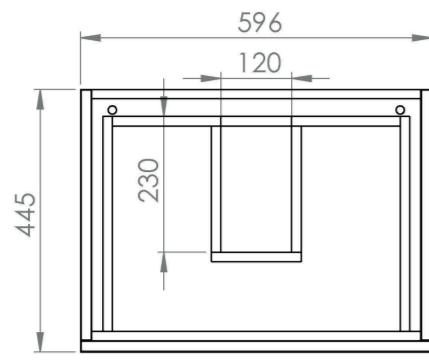
AUSTEN was designed to provide you with the best quality bathroom products that offer a luxury style. The collection offers the complete package with washbasins, vanity units, WC units, side units, mirror cabinets, and toilets so you can create a complete bathroom that will look timeless for years to come.

This 60cm 3 drawer floor standing unit in the English oak finish provides plenty of storage space for your bathroom and it can be paired with either a countertop or a basin. The English oak wood veneer finish will also create the illusion of bringing the outside in.

*Basin to be purchased separately
Compatible basins: 50010, 50010.0TH

**Handles to be purchased separately

TECHNICAL DRAWING



Saneux reserves the right to alter the specifications and product range without prior notice. Dimensions are given as a guide only. Dimensions should not be used for surrounding furniture, fixtures and fittings until the product is on site.

<https://saneux.com/products/austen-60cm-3-drawer-floor-standing-unit-english-oak>