

UNI 50X36CM WASHBASIN 1TH



Product Code: UN050B

 PRODUCT INFORMATION

Finish:	Gloss White
Height:	169mm
Width:	500mm
Depth:	360mm
Material	Ceramic
Weight	11kg
Overflow(s)	Yes
Overflow Position	Centre
Overflow Diameter	29mm
Tap Holes	1 Tap Hole
Tap Hole Position	Centre
Extra Tap Hole Options	2 tap holes
Recommended Waste Required	Slotted waste
Furniture Required For Installation?	Optional
Guarantee	Lifetime

 DESCRIPTION

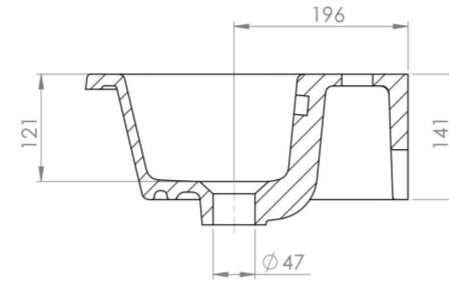
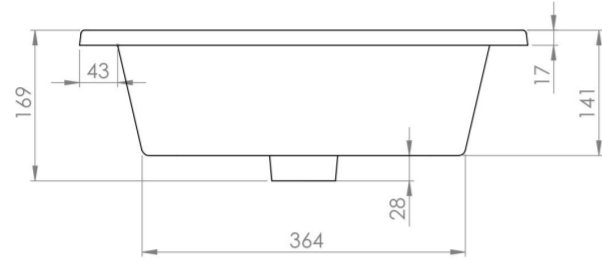
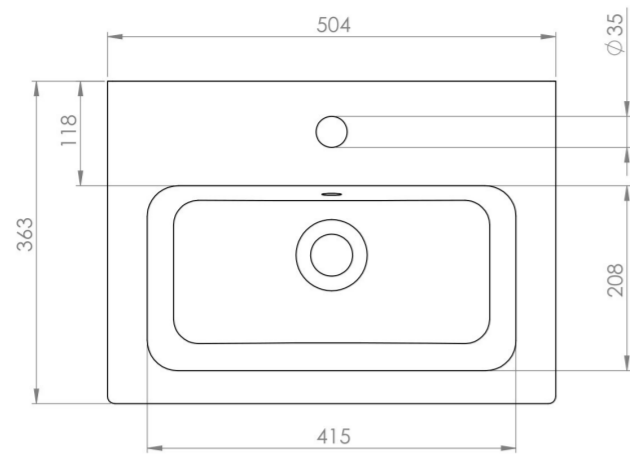
We've kept the UNI collection at a low profile - quite literally. It carries a vast range of slim profile basins with handle-less drawer units to help you to create a contemporary bathroom.

This UNI 50cm 1 tap hole washbasin is perfect for small & family sized bathrooms thanks to its short projection of 36cm and deep bowl to limit splashing.

Pair with one of our UNI, KINGSBURY, and MONUMENT 50cm units.

*With an overflow

TECHNICAL DRAWING



Saneux reserves the right to alter the specifications and product range without prior notice. Dimensions are given as a guide only. Dimensions should not be used for surrounding furniture, fixtures and fittings until the product is on site.

<https://saneux.com/products/uni-50x36cm-washbasin-lth>