

MCALPINE 90° BEND ADJUSTABLE LENGTH EXTENDED INLET RIGID WC CONNECTOR (FOR AIR77 & AIRCC77)



PRODUCT INFORMATION

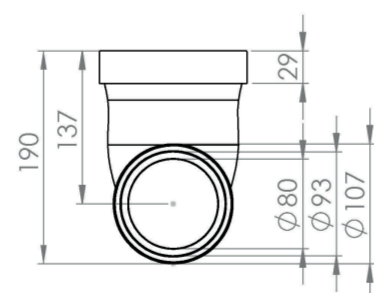
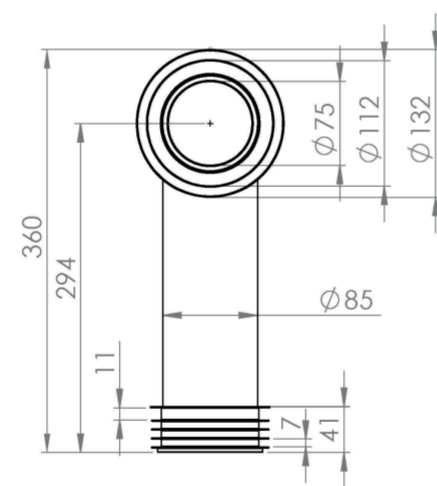
Finish:	White
Height:	190mm
Width:	107mm
Depth:	360mm
Material:	Plastic

Product Code: SP.AIR.039

DESCRIPTION

Use this 90° bend WC connector with our AIR close coupled pan (AIRCC77) if you require a side soil exit.

TECHNICAL DRAWING



Saneux reserves the right to alter the specifications and product range without prior notice. Dimensions are given as a guide only. Dimensions should not be used for surrounding furniture, fixtures and fittings until the product is on site.