

# AUSTEN BACK TO WALL WC PAN - RIMLESS



**Product Code:** AUBTW01

## PRODUCT INFORMATION

<b>Finish:</b>	Gloss White
<b>Height:</b>	402mm
<b>Width:</b>	351mm
<b>Depth:</b>	541mm
<b>Material</b>	Ceramic
<b>Weight</b>	32.48kg
<b>Guarantee</b>	Lifetime
<b>Compatible Toilet Seat(s)</b>	AUTS01, AUTS02
<b>Compatible Cistern(s)</b>	FL2022, FL2024, FL2026, FL2028, HC2036, HC2037, HC2030
<b>Type of Flushing</b>	Rimless technology

## DESCRIPTION

The AUSTEN back to wall pan may have a classic exterior design but it features the modern rimless flush design which has become a popular choice among many homeowners as it makes cleaning easy.

The complete set up with one of our concealed cisterns and flush plates would be perfect if you're wanting to save space in your bathroom but wanting a toilet with a more sophisticated look.

Create a tidy bathroom space and opt for a back to wall pan; you can hide the cistern by having it built into the wall or a WC unit as well as save on floor space.

\*Seat sold separately

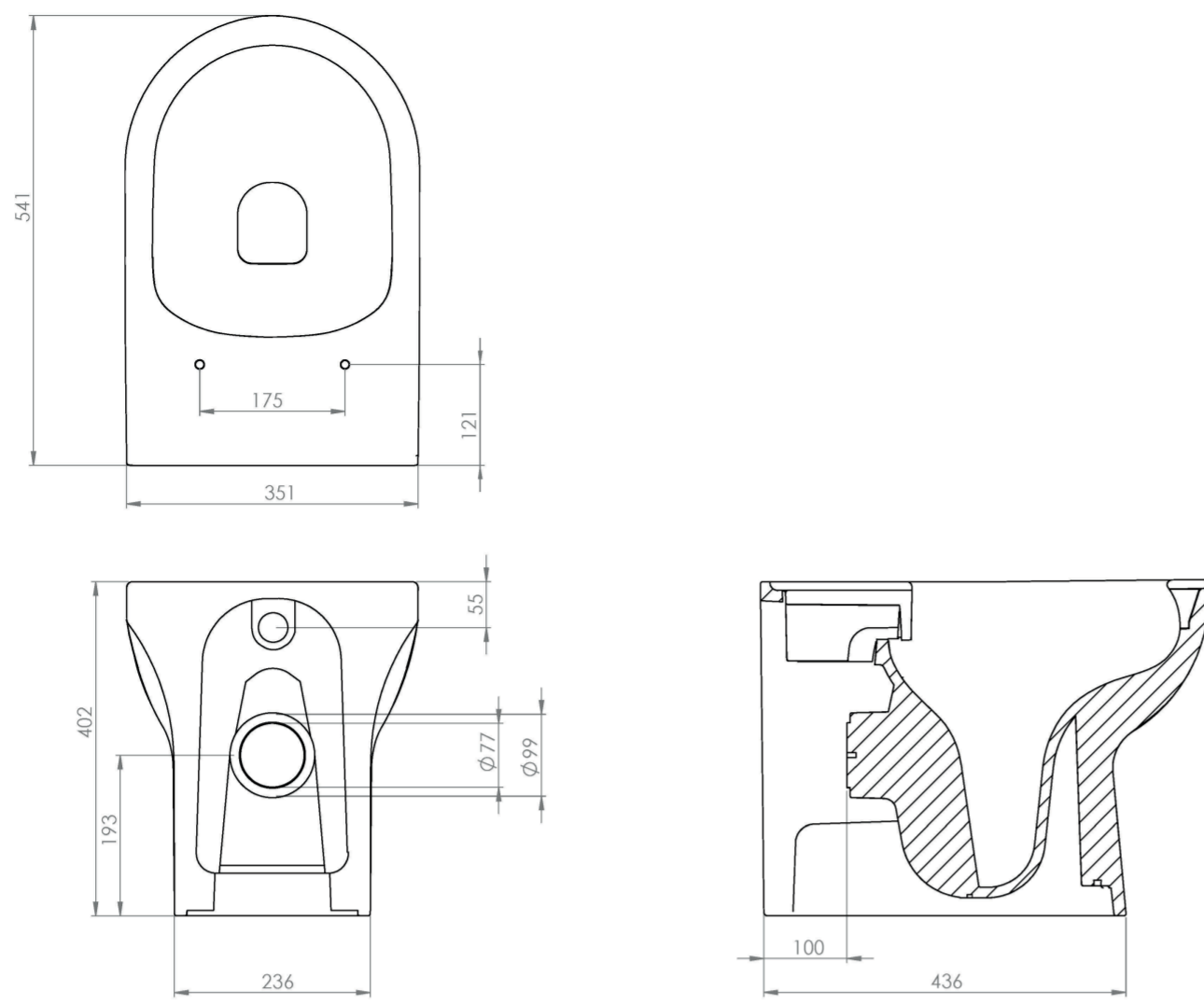
Standard soft-close seat: AUTS01

Slim soft-close seat: AUTS02

For optimal performance, we recommend pairing back to wall rimless pans with a high-level concealed cistern set at 6/3lt flushing.

See our FLUSHE 2.0 range for compatible WRAS approved concealed cisterns.

# TECHNICAL DRAWING



---

Saneux reserves the right to alter the specifications and product range without prior notice. Dimensions are given as a guide only. Dimensions should not be used for surrounding furniture, fixtures and fittings until the product is on site.

<https://saneux.com/products/austen-back-to-wall-wc-pan-rimless>