

AFTERCARE INSTRUCTIONS

This product should be treated with care. Excessive exposure to water will deteriorate the furniture.

All bathrooms should be well ventilated, if necessary, with a suitable extractor fan.

Avoid harsh chemical cleaners. Mild soap and water should be used with a soft cloth.

Wipe down wet surfaces after use.

CUSTOMER SERVICE

t: +44(0)208 686 5100
e: technical@saneux.com

Iain Stewart Centre, Beehive
Ring Road, Gatwick, RH6 0PB

www.saneux.com

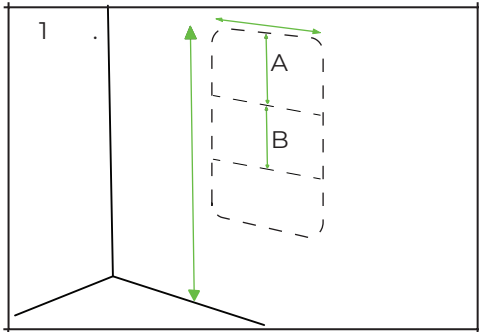
VOLATO

INSTALLATION INSTRUCTIONS



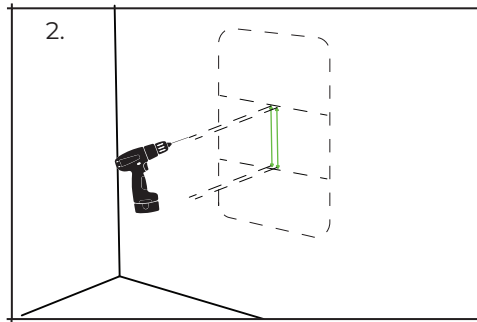
VOL5001

saneux

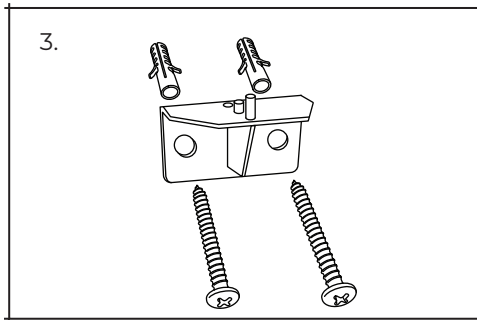


1 & 2 Before positioning the mirror, mark and fix the supports to the wall. Ensuring they are horizontal using a spirit level.

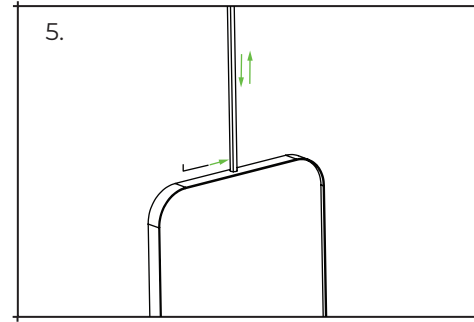
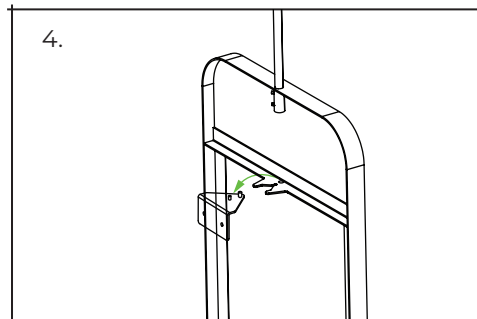
Distance A - 238mm
Distance B - 480mm



3. For each mounting plate drill two holes in the marked positions using a 8mm drill bit to a depth of 55mm.



4. Mount the mirror frame to the supports and tighten the fixing nut.



5. Once the mirror is secured to the wall, adjust the upper tube to meet the ceiling and tighten the grub screw.