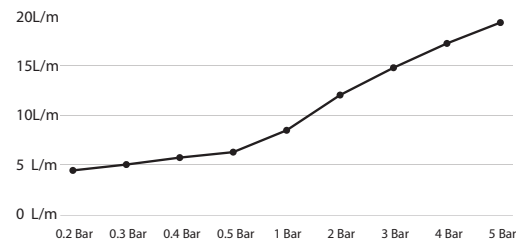


#### Aftercare Instructions

This product should be treated with care to ensure the longevity of the product finish. Surfaces should be cleaned using only a soft damp cloth and clean water. Bath cleaning products, even non-scratch ones could damage the finished surface.

#### Water Flowrate



#### FAQ

Limited or reduced water flow

#### Answer

Remove the cartridge and check for any debris. If present, remove using warm water.

Water temperature fluctuates or does not mix

Check the incoming supplies for min/max incoming pressure.

#### Customer Services

t: +44(0)208 686 5100  
e: [technical@saneux.com](mailto:technical@saneux.com)

4 Imperial Way  
Croydon CR0 4RR

[www.saneux.com](http://www.saneux.com)

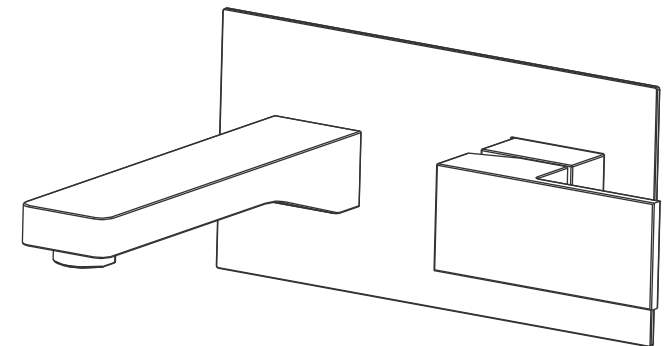


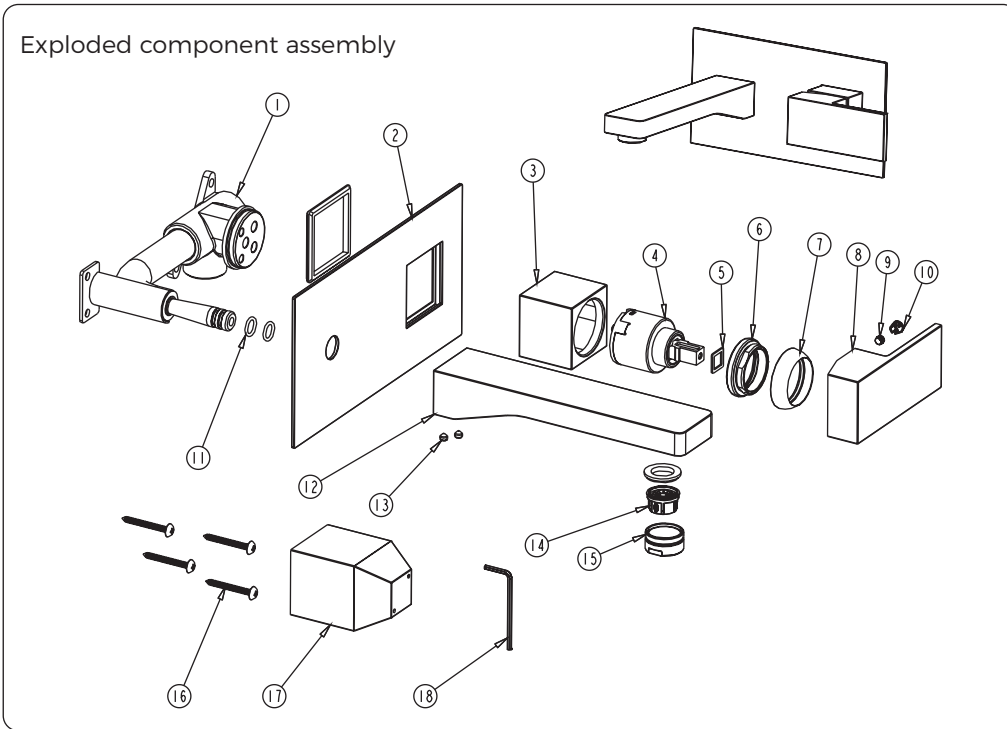
s a n e u x

# TO005

TOOGA

WALL MOUNTED BASIN MIXER  
INSTALLATION INSTRUCTIONS





Prior to installation flush out the pipe work to remove debris and then ensure the water supply is turned off.

1. Ensure the pipework is correctly arranged to suit the position of the hot / cold inlets (etched on the valve body).

2. Fix the valve to the supporting framework using the screws provided.

3. Ensure the valve is set back from the finished front face of the wall by the correct depth of min 55mm max 75mm (Allow for tiles, adhesive, etc).

4. Remove the plastic cover protecting the chrome valve. Slide the chrome face plate over the valve until flush against the finished wall surface.

5. Slide the spout over the brass valve until it is fully flush against the face plate. Fix the spout to the valve using the hex key and grub screws provided.

6. Attach the handle to the valve ensuring the handle lever is facing the side. Fix the handle to the valve using the hex key and grub screw provided. Apply the grub screw cover

