

AFTERCARE INSTRUCTIONS

This shower enclosure should be cleaned with soap and water regularly. This is particularly important in hard water regions. Cleaners of an abrasive nature should not be used. Care should be taken to avoid contact with strong chemicals such as organic solvents and strippers. Glass cleaners can be used with caution. Please retain these instructions for aftercare and customer service details.

CUSTOMER SERVICE

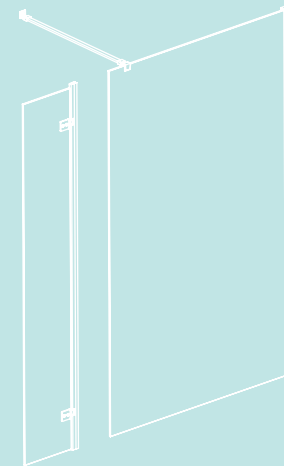
t: +44(0)208 686 5100
e: technical@saneux.com

4 Imperial Way
Croydon CR0 4RR

www.saneux.com

WALKIN

INSTALLATION INSTRUCTIONS



S2930 / S2930.MB

saneux

IMPORTANT! - BEFORE YOU BEGIN

Please read and understand these instructions carefully before you begin.

This product comes with a 5 year guarantee against manufacturing faults.

If a shower enclosure has been installed contrary to these instructions, we cannot accept responsibility for any loss or damage.

Please inspect the product immediately upon receipt for transit damage, missing parts or manufacturing faults. Any damage or missing parts must be notified immediately. No claims will be accepted after installation.

Please handle the product with care, avoiding knocks or shock loading to all sides and edges of the glass. Safety glass cannot be re-worked.

Double check that the shower door you have ordered will fit into the chosen site. The fixings supplied are for use in solid walls. Hollow or stud walls will require specialist fixings.

Ensure all components are present, prior to installation.

Ensure that the bath is installed perfectly level in all directions against a solid, structural wall and that, before installation of the shower enclosure, there is a full and continuous bead of silicone sealant between the top of the bath and the tile joint. Tiling should cover a minimum of 1500mm from the top of the bath.

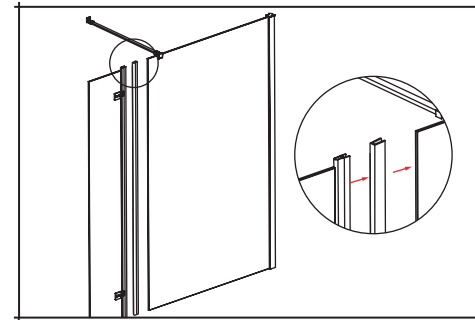
Surfaces to be siliconed should be degreased with a methylated spirit first, according to the safety instructions of the product.

Ensure there are no hidden pipes or cables in the wall before drilling.

When drilling holes in ceramic tiles, use a piece of masking tape on the tile to stop the drill bit from slipping.

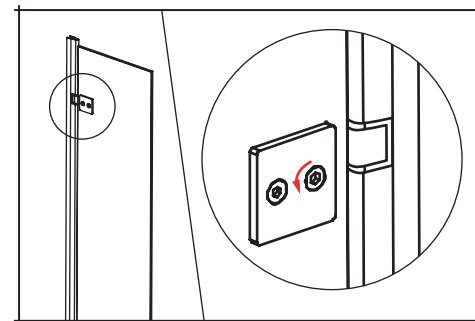
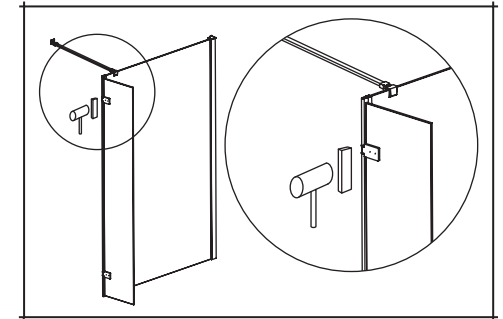
DO NOT use your drill on hammer action when drilling holes in ceramic tiles. Always wear protective gear when drilling or lifting heavy objects.

Allow 24h for the sealant to dry before using the shower.

**WALKIN ENCLOSURE INSTALLATION WITH A FLIPPER PANEL**

Fit the long seal to the end of the installed shower screen and push the flipper panel profile onto the seal.

Using a plastic mallet and a small block of wood, carefully hit the aluminium profile to tightly fit the long seal, flipper panel and installed shower screen together. Lastly, fit the cover cap on the top of the flipper panel and slide the short seal on the bottom of the glass flipper panel.



The flipper panel can be adjusted by the hinges. Rotate the wheels behind the hinges to adjust the distance between the flipper panel and the main panel.

Apply silicone sealant along the vertical profile between the aluminium and the finished wall. Apply a generous layer of silicone to the bottom of the fixed glass, ensuring to cover along both aluminium profiles without restricting the movement of the pivoting glass. **Apply silicone to the outside only**

