

Aftercare Instructions

This product has a high quality, durable finish which in order to preserve, should be treated with care.

Clean with warm soapy water and a soft damp cloth only.

Cleaning products, including non-scratch ones could damage the chrome surface.

Customer Services

t: +44(0)208 686 5100
e: technical@saneux.com

4 Imperial Way
Croydon CR0 4RR

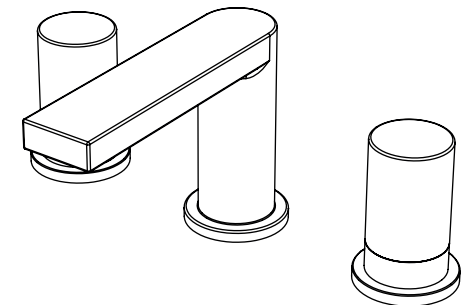
www.saneux.com

NICHOLSON

NI103

3 Hole Basin Mixer

INSTALLATION INSTRUCTIONS



Installation

1. Before making any inlet pipe connections, all supply pipes must be thoroughly flushed to remove debris. Failure to do so could result in damage or low flow from the mixer unit.

Please note if installing in an enclosed environment, access should be left for servicing and maintenance.

2. Refer to the components diagram and ensure all components are present before installation.

3. Fit the mixer to the basin surface using the supplied rubber washer, metal washer and fixing nuts and diverter cartridge in the order indicated in the drawing.
DO NOT overtighten as this may damage the basin.

4. Fit the hot and cold taps to the basin in the order indicated in the drawing. Tighten the handles to the basin via the screws in the metal washer.

5. Connect the taps and central mixer via the flexible hoses provided. Hot supply should always be connected to the left hose.

6. Fully open the mixer on both hot & cold sides and allow the water to run for approximately one minute to further flush the system.

7. Check all connections and ensure there are no leaks.

