

AFTERCARE INSTRUCTIONS

These products have a high quality, durable finish which in order to preserve, should be treated with care.

Clean with warm soapy water and a soft damp cloth only.

Cleaning products, including non-scratch ones could damage the finish.

CUSTOMER SERVICE

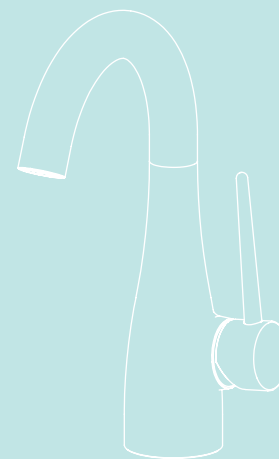
t: +44(0)208 686 5100
e: technical@saneux.com

4 Imperial Way
Croydon CR0 4RR

www.saneux.com

EDEN

INSTALLATION INSTRUCTIONS

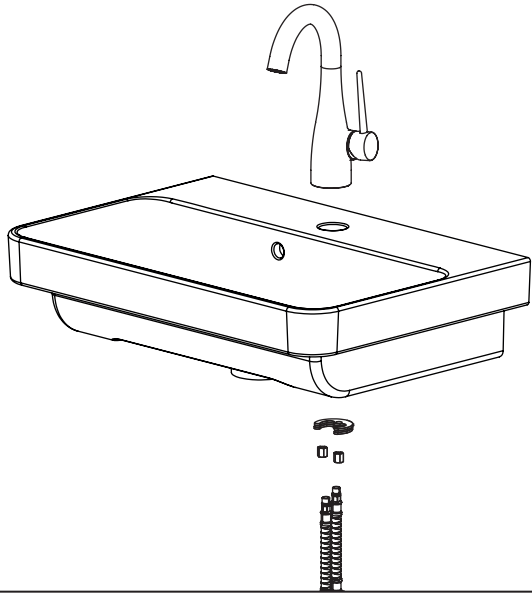


ED001

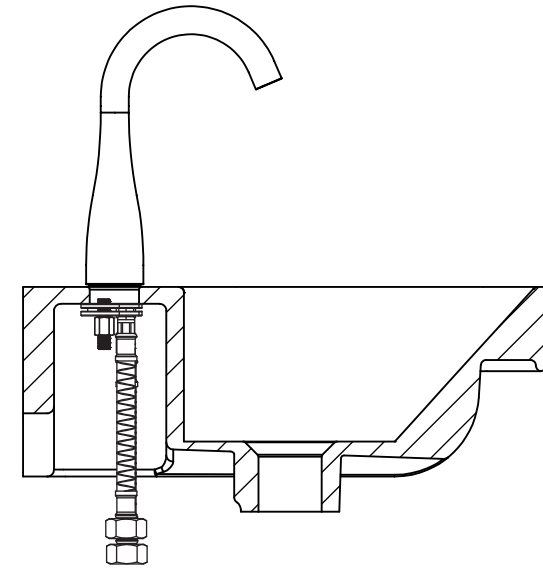
saneux

Make sure to flush the pipes of any excess debris before installing the taps, as it may cause damage to the tap internals.

Ensure all components are present prior to installation.



Single lever mixers are fixed using either one or two threaded rods, and a pair of washers. Make sure the rubber washer is closest to the basin and tighten the nut/s until the tap is secure.



Once the tap is secure to the basin, you can then attach the water hoses to the marked inlet pipes, making sure to have the hot hose fixed to the left inlet pipe.