

AFTERCARE INSTRUCTIONS

Clean this product regularly to avoid formation of damaging lime scale deposits.

When using chlorine-based cleaners to clean the pan bowl, ensure that these do not come into contact with the seat. Keep the seat and cover in an upright position during cleaning, to avoid discolouration of surfaces or rusting of metal parts.

CUSTOMER SERVICE

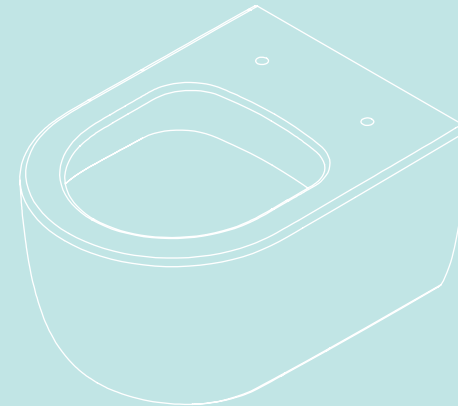
t: +44(0)208 686 5100
e: technical@saneux.com

4 Imperial Way
Croydon CR0 4RR

www.saneux.com

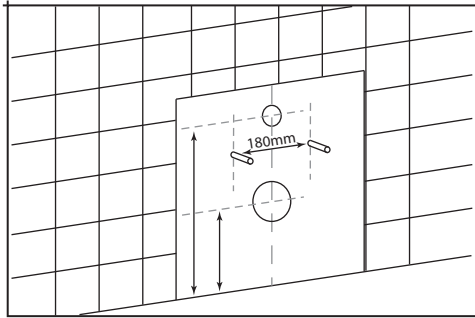
AUSTEN

INSTALLATION INSTRUCTIONS

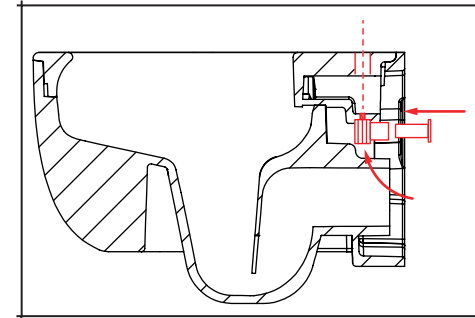


AUWHO1

saneux



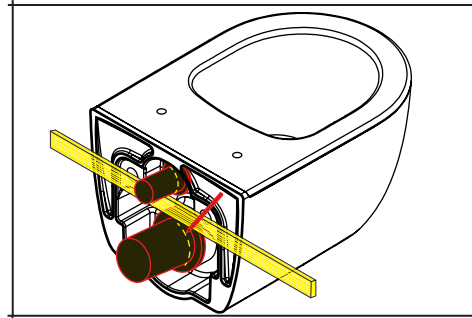
Make sure the water supply is switched off before installing the new toilet. Install the concealed cistern system in the wall, according to the cistern's installation instructions. Measure the pan and set the spacing of carrier studs, tightening the nuts.



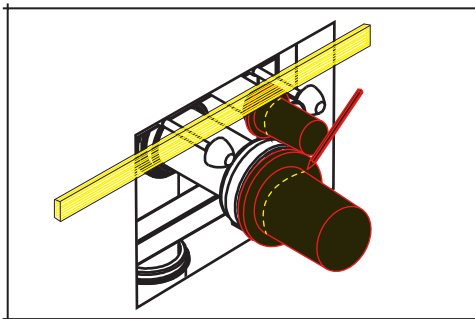
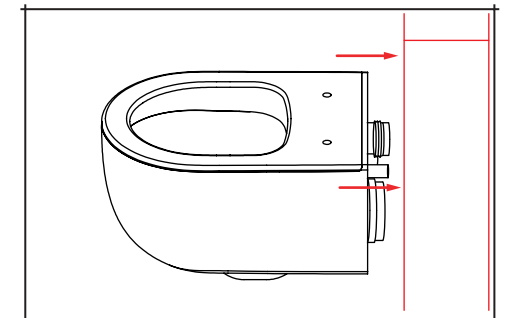
Determine the distance of the rods on the cistern so that the pan is flush with the back surface. To install the fixings:

1. locate the round fixing on the inside of the pan.
2. push the rod through the back of the pan and thread both items together, so that the grub screw is facing upwards.

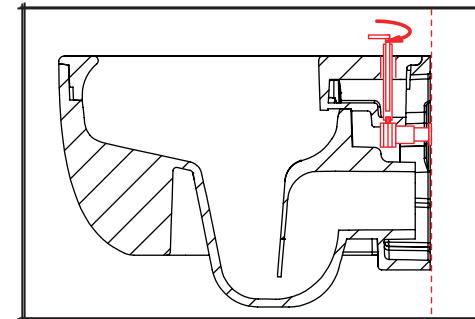
Place the inlet and outlet pipes on the bowl and mark the pipes where they extend past the edges of the bowl.



Place the new toilet on the wall through the carrier holes. Apply soapy water to the inlet and outlet pipes to help with the connection to the cistern.

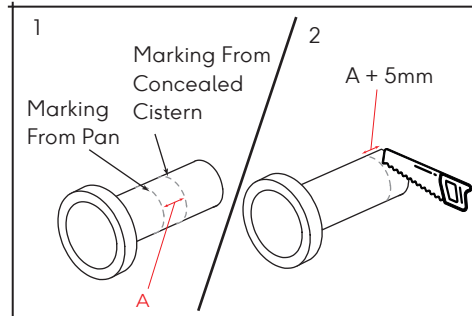


Then place the inlet and outlet pipes completely onto the cistern unit and mark them where they emerge from the unit.



Use the provided allen key to tighten the fixings, making sure the toilet is level. Secure the grub screws as tightly as possible.

Measure the space between the marks on the pipes (distance A), carry this measurement over to the end of the pipes, adding 5mm and then cut off the end. Then use a file to smooth the pipe ends, before securing the pipes into the cistern unit.



Having finished all plumbing connections, test for any leaks. **Apply a silicone sealant** between the pan and the back surface. Install the toilet seat onto the pan, according to the seat's installation instructions.

