

AFTERCARE INSTRUCTIONS

Cistern

Do not introduce caustic chemical substances (e.g containing chlorine compounds or similar) as these may damage the valve components and cause failure.

Seat

When using chlorine-based cleaners to clean the pan bowl, ensure that these do not come into contact with the seat. Keep the seat and cover in an upright position during cleaning to avoid discolouration of surfaces or rusting of metal parts.

CUSTOMER SERVICE

t: +44(0)208 686 5100
e: technical@saneux.com

Iain Stewart Centre, Beehive
Ring Road, Gatwick, RH6 0PB

www.saneux.com

AUSTEN

INSTALLATION INSTRUCTIONS



AUCCO1 - AUCCO1.LH - AUCCO1.RH - AUCCO2

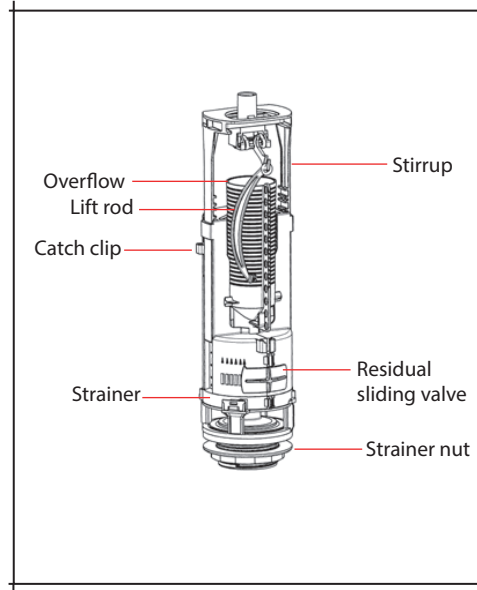
saneux

Prior to installation flush out any impurities in the cistern.
Ensure that you have all components present before installation.

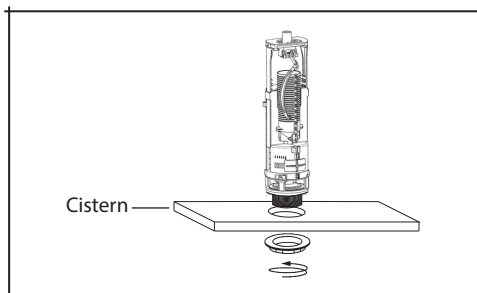
Installing the flush valve

Check that the height of the valve suits the internal height of the cistern so that the button can be installed on the lid and connected to the valve. If the height is not right, adjust the stirrup with the following steps.

1. Unclip the lift rod.
2. Remove the stirrup by pressing on the two catch clips.
3. Cut the overflow, if necessary according to the table below.
4. Reposition the stirrup in its seat and slide it to the required position (desired setting notch number visible).
5. Clip lift rod back into the hole of the overflow which has the same number as that of the setting notch.
6. Unscrew the strainer nut.

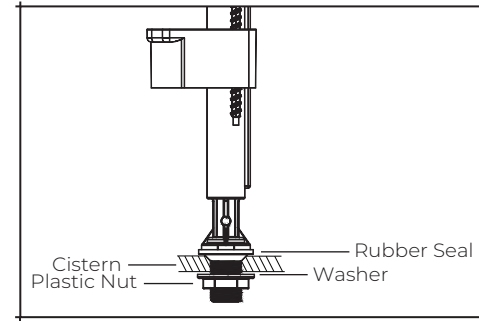


Stirrup notch	Cut on overflow tube
3	C mark visible
2	F mark visible
1	I mark visible
Mini	L mark visible



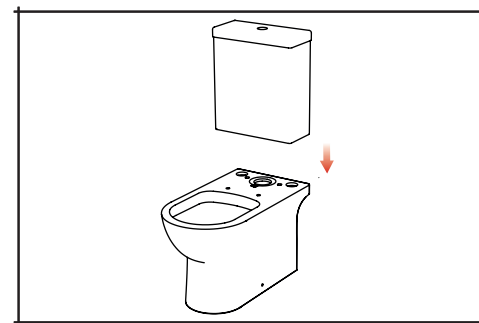
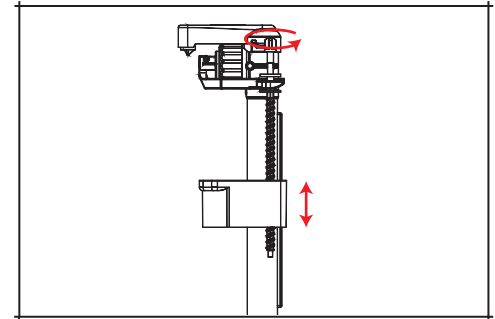
Position the mechanism in the cistern and secure it with the strainer nut. Tighten by hand, and if necessary give an extra quarter turn with a spanner. **DO NOT** overtighten as this can damage the mechanism.

INSTALLATION NOTES



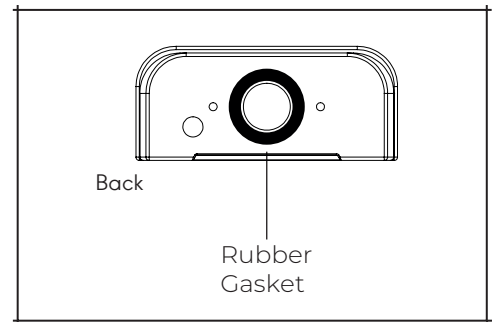
Installing the fill valve
 Install the fill valve to the cistern using the rubber seal and plastic nut. Ensure the float cup has room to move up and down freely.

The fill valve comes factory set to a height suitable for the cistern. If the fill valve requires adjustment, turn the screw at the top to adjust the water level.

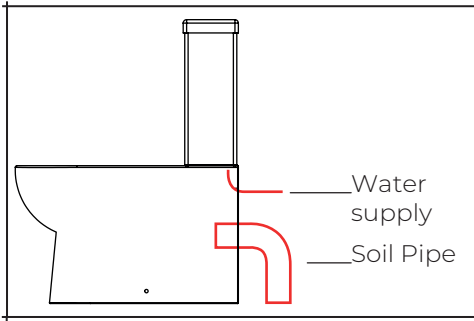
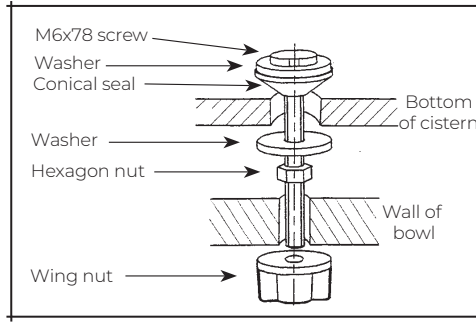


Once the flush valve and fill valve are installed and (if necessary) correctly adjusted the cistern can be fitted to the pan.

Fit the rubber gasket around the flush valve outlet on the underside of the cistern. The gasket should be correctly aligned with the thread of the flush valve to ensure there is no leakage.



Fix the screws at the bottom of the cistern. proceed to position the cistern on the bowl and secure it with the wing nuts.



Connect the soil pipe and ensure it is adequately sealed around the pan outlet to prevent leakage.

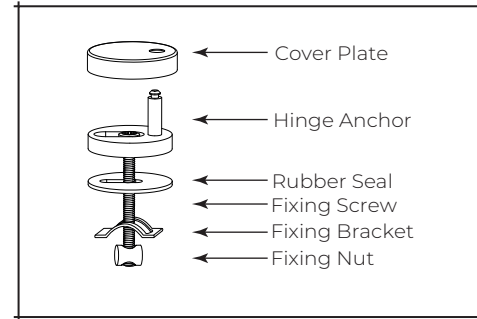
IMPORTANT

Do not overtighten the supply to the inlet valve as this could damage the inlet valve causing leakage. After connecting the water supply to the inlet valve check that all components do not touch the internal walls of the cistern and that the float can freely move up and down. Check all connections are secure and a soil pipe is correctly fitted before testing the flush.

ISSUE	POTENTIAL REASON	SOLUTION
Cistern fills up too slowly.	Debris around diaphragm	Remove debris around diaphragm and solution. Isolate water supply. Remove cap (1/8 turn counterclockwise). Remove diaphragm and clean in water or replace the diaphragm.
	Insufficient water supply flow/pressure	Open isolation valves fully, inspect system & pipework.
	Valve assembly is jammed	Ensure float adjustment screw and attached components are free to move vertically.
Water is continually running into WC.	Flow controller & filter blocked	Isolate and disconnect from water supply. Remove flow controller & filter from threaded shank to clean.
	The back nut has not been tightened and is leaking.	Check back nut, tighten if loose, replace if damaged.
	Cistern water level is too high and is overflowing.	Adjust fill valve so the water level stays below syphon overflow.
	Fill valve is faulty and not shutting off.	Service or replace inlet valve.

ISSUE	POTENTIAL REASON	SOLUTION
<p>Water is leaking out of the cistern into the pan or onto the floor.</p>	<p>If continuously leaking regardless of flush, the back nut is likely loose.</p> <p>Close coupled: only leaks during flush then donut seal between WC and cistern is leaking.</p> <p>Securing bolts/seals may be leaking.</p>	<p>Check and tighten back nuts, ensuring the donut seal is correctly installed.</p> <p>Remove cistern and check donut seal, use a new donut seal and ensure it is correctly installed.</p> <p>Check seals, tighten or replace bolt set.</p>
<p>Not enough water is being flushed.</p>	<p>The flush adjust slide is set incorrectly - Low flush volume.</p> <p>The fill valve is not filling to the water line.</p>	<p>Full flush: push adjust slide down until desired flush volume is achieved.</p> <p>Partial flush: adjust slide "+" to increase, or "-" to reduce flush.</p> <p>Adjust fill valve to increase height and water level.</p>

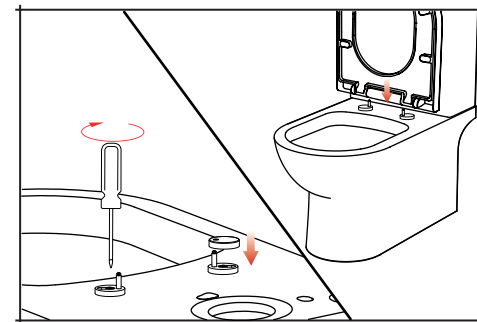
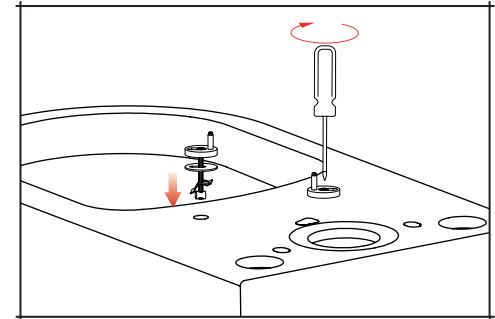
Installing the Seat



Make sure all the components are present.

Slot the fixings through the holes in the pan, then loosely tighten by turning the screws clockwise.

Move mounting bases so the posts align with holes in the back of the seat. Once aligned carefully lower the seat (Holes) onto the mounting posts.

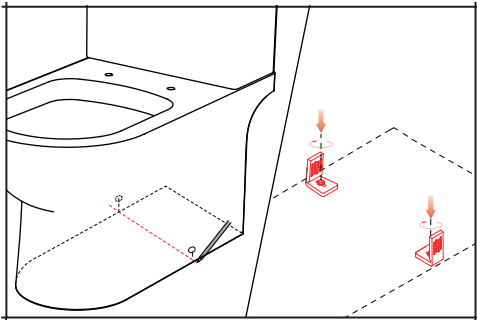
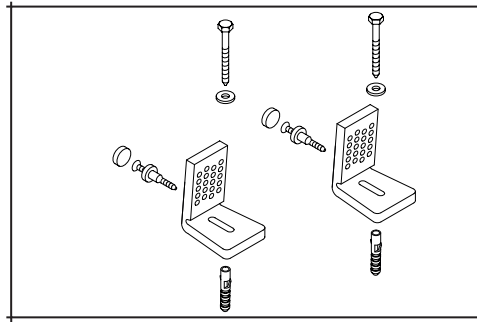


Adjust the seat to the correct alignment, then remove the seat and fully tighten the fixings in place and place the stainless steel covers on top.

To remove the seat. Press the quick release button until you hear a click, then open the seat to the vertical position, then lift the seat straight up with one hand.

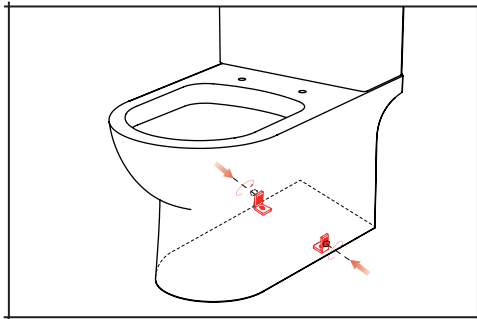
Fixing the Pan

Make sure all the components are present.

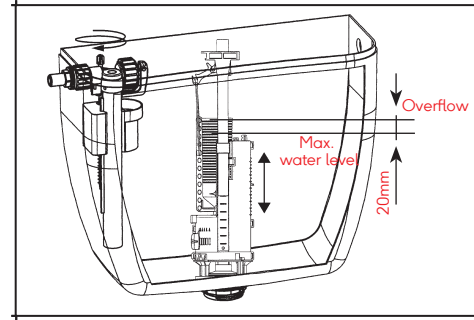


With the pan in the desired location, mark the position of the holes on the floor. Measure the ceramic thickness on of the pan and mark the approximate location of the floor fixings. Drill a hole on the ground and locate the plugs so that they are flush with the ground surface. Tighten the floor fixings.

With the pan on the desired location, check that the back of the pan fully meets the wall. Remove the pan and further tighten the floor fixings. Return the pan to the desired location and secure the screws to the floor fixings through the holes on the sides of the pan. Place the cover caps on the side holes.



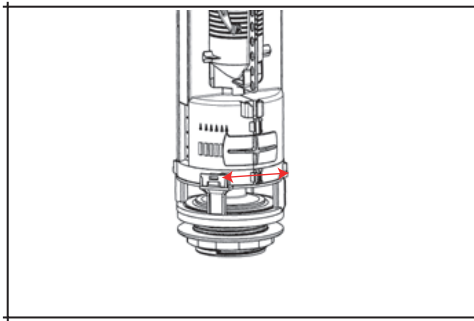
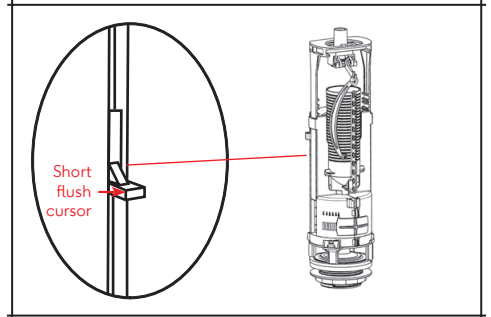
NOTE: At this point it is recommended that the cistern is fixed to the wall. To do this fix a screw through the fixing hole in the back of the cistern.



After having connected the fill valve to the water supply, open the water flow and check the flushing. If necessary, adjust the fill valve or flush valve accordingly.

NOTE: The max. water level should be 20mm lower than the overflow tube.

To adjust the water level of the short flush, slide the cursor along. immerse the cursor of 40mm



In some cases, the residual water level (amount of water remaining after the long flush) must be increased to ensure more efficient cleaning. To do this, move the sliding valve to the left (the more it is open, the more the residual water increases).

Once the set-up has been completed, put on the lid on the cistern. Position the button on the lid and screw clockwise until tight, making sure that it engages the flush valve correctly.

