

## AFTERCARE INSTRUCTIONS

Excessive exposure to water will deteriorate the furniture. Wipe away any water splashes or condensation after use. **Do not allow water to sit on the countertops or inside the drawers**

All bathrooms should be well ventilated. We recommend the installation of a suitable extractor fan.

Clean with a soft damp cloth only.

Use a wax free polish if one must be used.

## CUSTOMER SERVICE

t: +44(0)208 686 5100  
e: [technical@saneux.com](mailto:technical@saneux.com)

Iain Stewart Centre, Beehive  
Ring Road, Gatwick, RH6 0PB

[www.saneux.com](http://www.saneux.com)

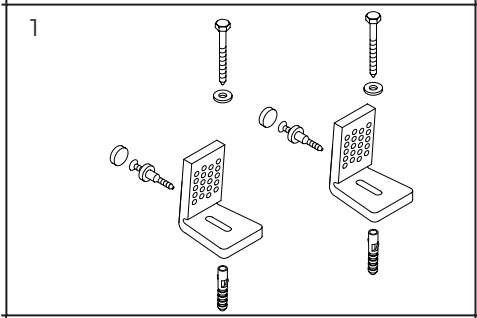
# UNI

## INSTALLATION INSTRUCTIONS



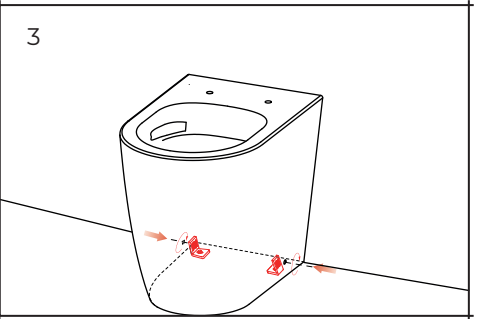
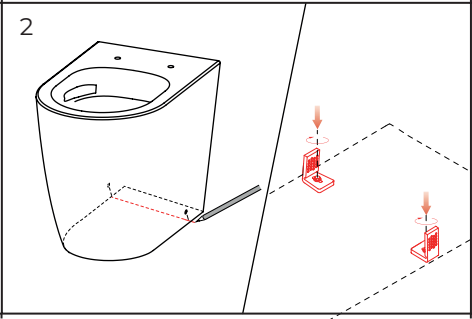
BACK TO WALL PAN  
66074

saneux



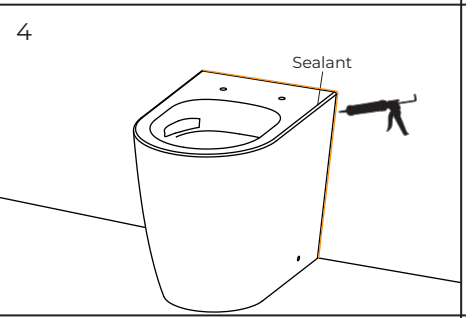
1. Make sure all the components are present.

2. With the pan in the desired location, mark the position of the holes on the floor. Measure the ceramic thickness of the pan and mark the approximate location of the floor fixings. Drill a hole on the ground and locate the plugs so that they are flush with the ground surface. Tighten the floor fixings



3. With the pan on the desired location, check that the back of the pan fully meets the wall. Remove the pan and further tighten the floor fixings. Return the pan to the desired location paying attention that the pipe fittings are connected with the tubes and secure the screws to the floor fixings through the holes on the sides of the pan. Place the cover caps on the side holes.

4. Add sealant around the back of the pan, creating a watertight seal between the pan and the wall.



5. Seat Instructions inside seat box.

INSTALLATION NOTES

---

---

---

---

---

---

---

---

---

---

---

---